

For steel and plastic sidexflexing chains Rexnord offers the corresponding curve profiles. Without a doubt Magnetflex® is worldwide seen as the superior curve system. The programme also includes curves and straight tracks for Bevel and TAB chains.

## Magnetflex® System

The MCC Magnetflex system has become the worldwide standard in the beverage industry. The great advantages of this system have made it the choice of the worlds leading OEMs. It is a Combi system for both plastic and steel chains. Magnets underneath the track hold the chain down in a reliable way. Magnetflex is the only system where two magnets cover almost the complete base of the curve instead of just the track. Because the magnets are connected by a steel plate, a very broad magnetic field is being formed.

Unlike other magnetic curves this results in a force that keeps down plastic chains with steel pins just as well as steel chains. Another advantage is that this magnet position only has a slight reduction in hold-down force when the chain is being lifted, in case of pollution or broken glass, without jumping from the track. Where in other systems the chains can block and jam in the curve profile due to pollution, in the Magnetflex system the chain simply lifts slightly and keeps on running. The magnets are placed in the curve at fixed angles instead of at fixed distances to make sure that no pulsation effect is being created by the magnets, when a chain is being pulled through the curve.

The magnets make sure that all chains lie perfectly flat in the curve without tilting. In other systems the chain tension is causing the chain to use up the play in the chain guidance, causing chain edges to lift. Especially in multiple-strand curves and with high-speed conveying this means product toppling.

Another big advantage of the Magnetflex® system is the easy installation of the chains and the perfect cleanability of the system. This is due to the open and rectangular track in the curve. The chains can easily be installed from above as if the curve was a straight part of the conveyor. Also the chains can easily be lifted from the track for maintenance and cleaning, without breaking the chain or even removing it from the conveyor construction.

Magnetflex® curves can be installed in the conveyor frame in different ways. The upper and return part can be supplied bolted together and with inserts to mount the assembled curve into the conveyor frame. The option most often used in multiple track curves is to deliver the upper and return part separately. They are then mounted against a conveyor crossbar. In this case both upper part and return part are equipped with inserts and/or holes. In both build-in options the hole and inserts can be standard or customer specific.

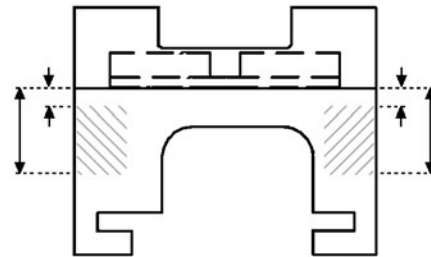
Most Magnetflex® curves are equipped with a return guide shoe. This machined shoe is meant to bring the chain at the right level to enter the return part of the curve. The position of the return guide shoe is determined by the design of the return part (level or staggered) and by the chain type. A staggered design is used when the pitch between the tracks is too small to allow the chains to run at the same level in the return. In that case two levels of tracks are made in the return part: one level in which the uneven tracks (1, 3, 5 etc.) run and one in which the even tracks run. The height of a staggered return part (usually 63 mm) is always higher than that of a non-staggered return (usually 55 mm).



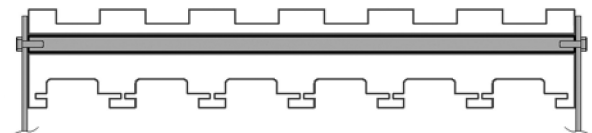
Magnetflex® curve with 2 magnets for better hold-down of the chain



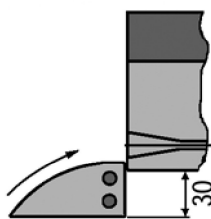
Usual magnetic curve with only 1 magnet



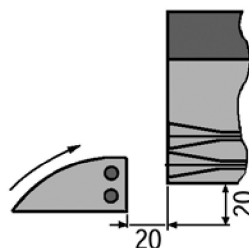
Upper and return part bolted together



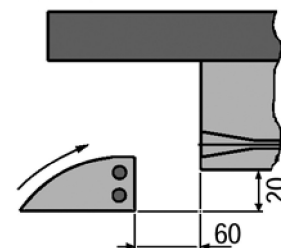
Upper and return part mounted against a cross bar



Return part at same level



Staggered return part



Chainbelts

A special execution of a Magnetflex® curve is a CIP (Cleaning in Place) curve, equipped with spraying nozzles and tubes. It is opened up as much as possible to allow good cleaning of the steel or plastic chain and curve profile from the inside of the curve. The CIP curve can be integrated in an existing CIP system.

Magnetflex® curves are available in five different materials. The standard material, Combi-A, is a high grade of polyethylene. It is suitable for most lubricated applications with steel and plastic chains. In clean environment and with low chain speeds Combi-A can also be used in dry running applications. For dry running applications with plastic TableTop chains Combi-L and Combi-S are recommended. These materials are able to work with higher chain speeds. Combi-S has the largest application field, where Combi-L offers better noise reduction. Rexnord's calculation program determines the PV (pressure-velocity) load on the curve in a specific application and will advise in which application load and speed require Combi-L or Combi-S curves. For lubricated, abrasive applications (filler discharge) or abrasive, dry running applications (glassworks) with (stainless) steel chains, Combi-G is most suitable. This ceramic reinforced polyethylene offers an extremely good wear resistance. New Generation Combi-X curves can be applied in high speed (dry running) applications.



## Application

Curve Material	Lubricated, clean, stainless steel chains, plastic chains	Lubricated, abrasive, stainless steel chains	Lubricated, abrasive, plastic chains	Dry running, low speed, abrasive, steel chains	Dry running, low speed, clean, plastic chains	Dry running, high speed, clean, plastic chains	Dry running, abrasive, plastic chains
Combi-X	Green	Orange	Green	Grey	Green	Green	Green
Combi-A	Green	Grey	Grey	Grey	Green	Grey	Grey
Combi-L	Grey	Orange	Green	Grey	Orange	Green	Orange
Combi-S	Grey	Grey	Grey	Orange	Grey	Orange	Green
Combi-G	Grey	Green	Grey	Green	Grey	Grey	Grey

Optional
Best choice

## Magnetflex® Combi-X New Generation Hybrid Construction

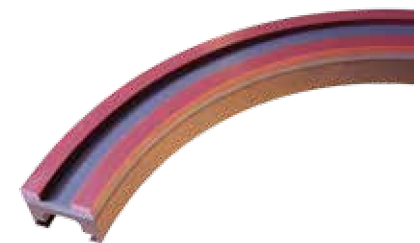
A combination of standard resin base material combined with high performance ULF (Ultra Low Friction) guiding strips makes optimum use of different materials. Guiding strips are permanently fixed to the basepart.



Returnpart Equipped with Tubes

## Non Marking Tubular Returnpart

With today's high speed conveyor applications and sometimes also abrasive conditions, it is required that the chain surface remains in optimum condition to avoid any unwanted product handling issues. Therefore Rexnord has developed a special Non Marking return section to be combined with the standard Magnetflex® upper part. This new returnpart features a Stainless Steel tubular return which reduces abrasive wear of the chain topsurface. The result is that the chain surface will remain in perfect condition over a long period of time, and optimum product handling at high speeds can be achieved.



Combi-X Corner Track

## Tab and Bevel

In many industry segments Tab and Bevel curves and straight tracks are an economic solution if stability of the product conveyed, cleanability and ease of installation are not the key areas of interest. They are available for TableTop®, Multiflex and Plate Top chains. Tab and Bevel machined profiles retain the chains in a mechanical way. For these tracks a high grade, wear resistant polyethylene is used.

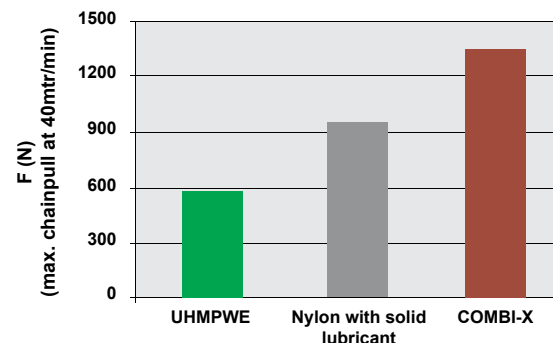
## High PV-limit

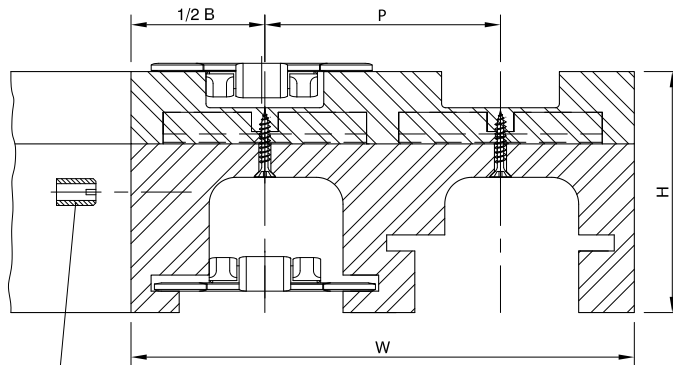
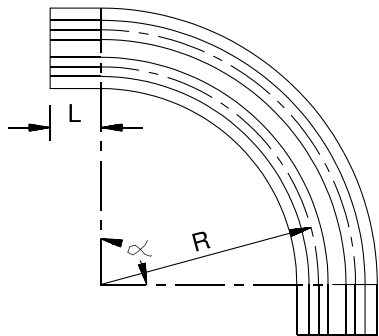
The Magnetflex® Combi-X has improved PV-properties with respect to the original Rexnord Nylatron curve material. This means the curves can be applied in high speed (dry running) applications.

## Customized curves

If these standard versions do not meet specific conveyor needs, it is possible to order customized versions. Both standard and customer specific curves can be supplied in just several working days.

## PV-Limit





## Selection Tables

Select your curve by reading the tables from left to right. You'll find more information on the specified pages.

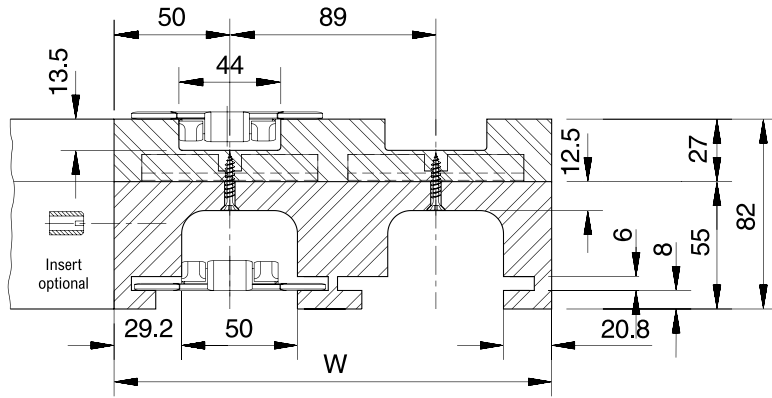
For Chain Type (s)	Radius	Pitch	Basic Width	Infeed Length	Total Height	Version Number	See Page		
	R	P	B	L	H				
	mm	mm	mm	mm	mm				
<b>For Chains With 3.25"/3.30" Plate Width</b>									
Steel/Plastic	500	85	100	0	82 / 89	C7-CX7	109		
				100	90	C6-CX6	108		
			111	90	C4	106			
		90	100	90	C14	110			
			100	125	82	C1	105		
			100	100	82	C2	105		
	590	180	100	100	82	C3	106		
			100	100	82	C5B	on request		
			100	100	82	C5A	107		
		750	85	111	100	90	C42	112	
			860	-	100	125	82	C5C	107
				-	100	0	82	C5D	on request
1000	85	111	100	90	C43	112			
<b>Cip-Curve for Chains With 3.25" Plate Width for Chains with 4.50" Plate Width</b>									
661 steel	500	85	100	100	82	CF6	110		
Steel	500	85	111	100	100	CIP4	107		
Steel/plastic	500	120	129	125	90	C21A	111		
	610	120	129	125	90	C22A	111		
<b>For Chains with 7.50" Plate Width</b>									
Steel	610	196	214	125	90	C61	113		
	860	-	214	0	82	C66	114		
	1000	-	214	0	82	C65	114		
Steel / HDFM 750 (SG)	610	195	200	100	95	C81	115		
	860	-	214	0	87	C86	115		
<b>For Chains with 10.00" Plate Width</b>									
HDFM 1000 (SG)	860	-	290	0	87	C91	116		
<b>For Chains with 12.00" Plate Width</b>									
HDFM 1200 (SG)	860	-	340	0	87	C96	116		
<b>For LBP Chains</b>									
RHMD 325 LBP	500	90	100	100	90	LBP2	117		
HDFM 750 LBP	860	-	214	0	95	LBP861	117		
HDFM 1000 LBP	860	-	290	0	95	LBP91	118		
HDFM 1200 LBP	860	-	340	0	95	LBP96	118		
<b>For Chainbelts</b>									
FGM 1050/FTM 1060	500	85	100	100	90	CB6-CXB6	119		
FTM 1055 K330	500	85	100	100	90	CC6-CXC6	120		
FTM 1055 K450	500	120	129	125	90	CC21	121		

All these Magnetflex curves include a return guide shoe, except C7. Inserts are optional; M8 or M10 inserts in the return part and M6 or M8 inserts in the guide shoe can be supplied according your detailed drawing. If you need a special Magnetflex curve, following parameters are necessary:

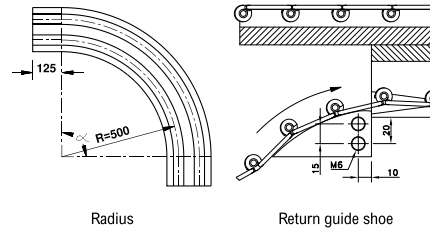
1. Basic width
2. Radius
3. Infeed length
4. Pitch
5. Angle
6. Number of tracks

For tab and bevel curves see page 122-126.

## Magnetflex Combi-A Version C1



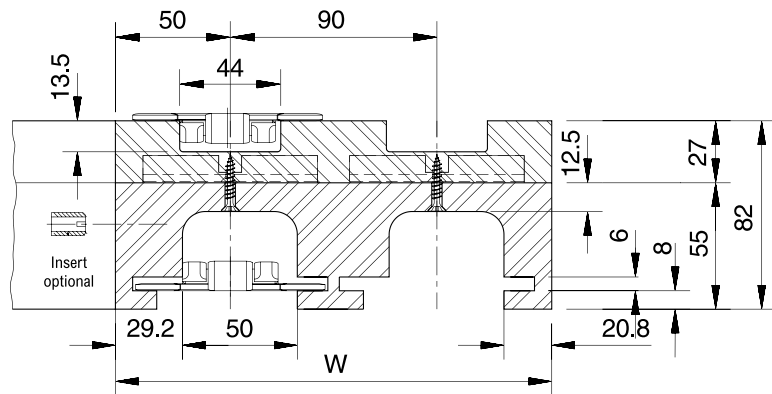
Number of Tracks	1	2	3	4	5	6
Width W	100 mm	189 mm	278 mm	367 mm	456 mm	545 mm
Version C1						
15°	704.05.16	704.05.17	704.05.18	704.05.19	704.05.20	704.05.21
30°	704.05.31	704.05.32	704.05.33	704.05.34	704.05.35	704.05.36
45°	704.05.46	704.05.47	704.05.48	704.05.49	704.05.50	704.05.51
60°	704.05.61	704.05.62	704.05.63	704.05.64	704.05.65	704.05.66
75°	704.05.76	704.05.77	704.05.78	704.05.79	704.05.80	704.05.81
90°	704.05.01	704.05.02	704.05.03	704.05.04	704.05.05	704.05.06



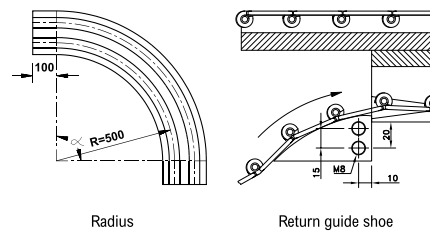
More than 6 tracks on request.

- For steel chains: 10/60/66 M 31 M, 60/66 M 31 XM, 66 M 31 RM, 60/66 M 84 XM.
- For plastic chains: RHMP 325, RHMDP 325, RHMP 84.

## Magnetflex Combi-A Version C2



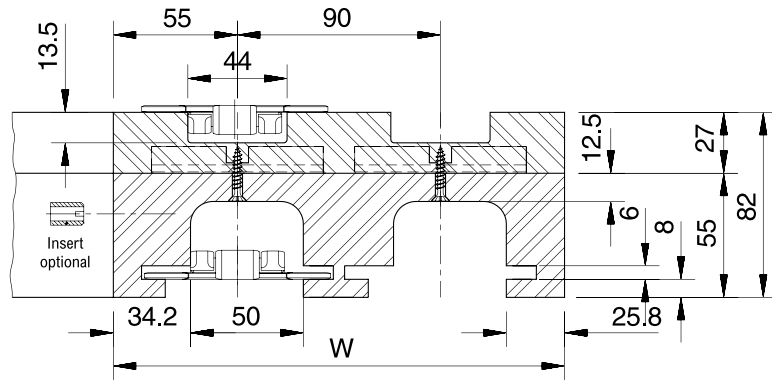
Number of Tracks	1	2	3	4	5	6
Width W	100 mm	190 mm	280 mm	370 mm	460 mm	550 mm
Version C2						
15°	704.06.16	704.06.17	704.06.18	704.06.19	704.06.20	704.06.21
30°	704.06.31	704.06.32	704.06.33	704.06.34	704.06.35	704.06.36
45°	704.06.46	704.06.47	704.06.48	704.06.49	704.06.50	704.06.51
60°	704.06.61	704.06.62	704.06.63	704.06.64	704.06.65	704.06.66
75°	704.06.76	704.06.77	704.06.78	704.06.79	704.06.80	704.06.81
90°	704.06.01	704.06.02	704.06.03	704.06.04	704.06.05	704.06.06



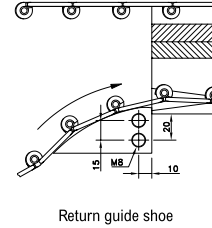
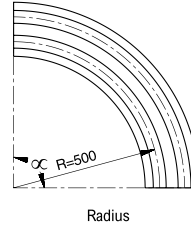
More than 6 tracks on request.

- For steel chains: 10/60/66 M 31 M, 60/66 M 31 XM, 66 M 31 RM, 60/66 M 84 XM.
- For plastic chains: RHMP 325, RHMDP 325, RHMP 84.

## Magnetflex Combi-A Version C3



Number of Tracks	1	2	3	4	5	6
Width W	110 mm	200 mm	290 mm	380 mm	470 mm	560 mm
<b>Version C3</b>						
15°	704.07.16	704.07.17	704.07.18	704.07.19	704.07.20	704.07.21
30°	704.07.31	704.07.32	704.07.33	704.07.34	704.07.35	704.07.36
45°	704.07.46	704.07.47	704.07.48	704.07.49	704.07.50	704.07.51
60°	704.07.61	704.07.62	704.07.63	704.07.64	704.07.65	704.07.66
75°	704.07.76	704.07.77	704.07.78	704.07.79	704.07.80	704.07.81
90°	704.07.01	704.07.02	704.07.03	704.07.04	704.07.05	704.07.06



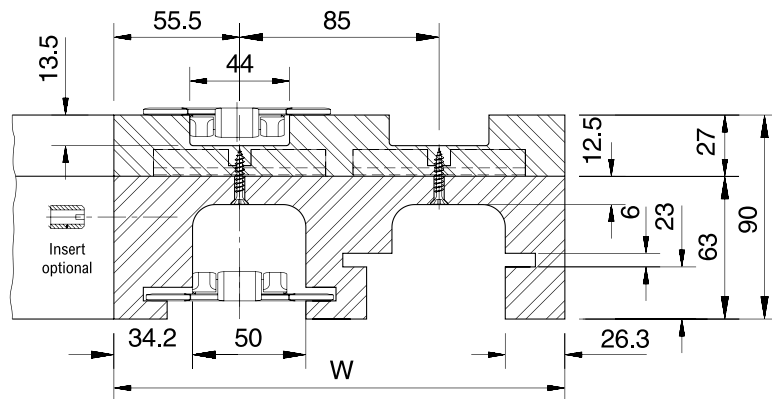
Radius

Return guide shoe

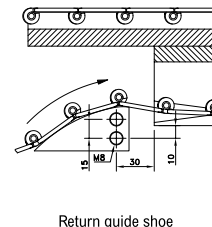
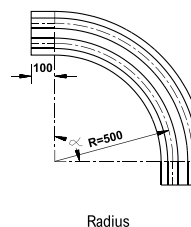
More than 6 tracks on request.

- For steel chains: 10/60/66 M 31 M, 60/66 M 31 XM, 66 M 31 RM, 60/66 M 84 XM.
- For plastic chains: RHMP 325, RHMDP 325, RHMP 84.

## Magnetflex Combi-A Version C4



Number of Tracks	1	2	3	4	5	6
Width W	111 mm	196 mm	281 mm	366 mm	451 mm	536 mm
<b>Version C4</b>						
15°	704.08.16	704.08.17	704.08.18	704.08.19	704.08.20	704.08.21
30°	704.08.31	704.08.32	704.08.33	704.08.34	704.08.35	704.08.36
45°	704.08.46	704.08.47	704.08.48	704.08.49	704.08.50	704.08.51
60°	704.08.61	704.08.62	704.08.63	704.08.64	704.08.65	704.08.66
75°	704.08.76	704.08.77	704.08.78	704.08.79	704.08.80	704.08.81
90°	704.08.01	704.08.02	704.08.03	704.08.04	704.08.05	704.08.06



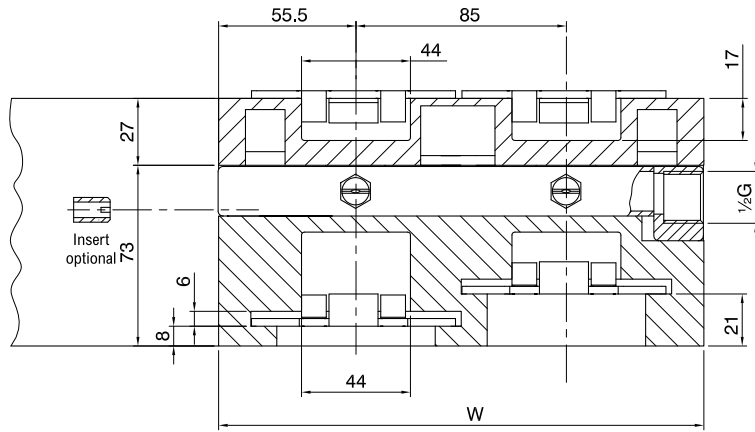
Radius

Return guide shoe

More than 6 tracks on request.

- For steel chains: 10/60/66 M 31 M, 60/66 M 31 XM, 66 M 31 RM, 60/66 M 84 XM.
- For plastic chains: RHMP 325, RHMDP 325, RHMP 84.

## Magnetflex Version CIP4

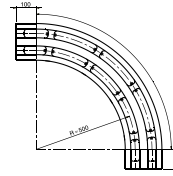


Pag. 16, 24

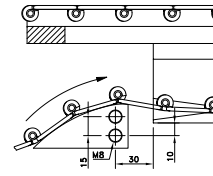
Number of Tracks	1	2	3	4	5	6
Width W	111 mm	196 mm	281 mm	366 mm	451 mm	536 mm

### Version CIP4

15°	785.45.16	785.45.17	785.45.18	785.45.19	785.45.20	785.45.21
30°	785.45.31	785.45.32	785.45.33	785.45.34	785.45.35	785.45.36
45°	785.45.46	785.45.47	785.45.48	785.45.49	785.45.50	785.45.51
60°	785.45.61	785.45.62	785.45.63	785.45.64	785.45.65	785.45.66
75°	785.45.76	785.45.77	785.45.78	785.45.79	785.45.80	785.45.81
90°	785.45.01	785.45.02	785.45.03	785.45.04	785.45.05	785.45.06



Radius

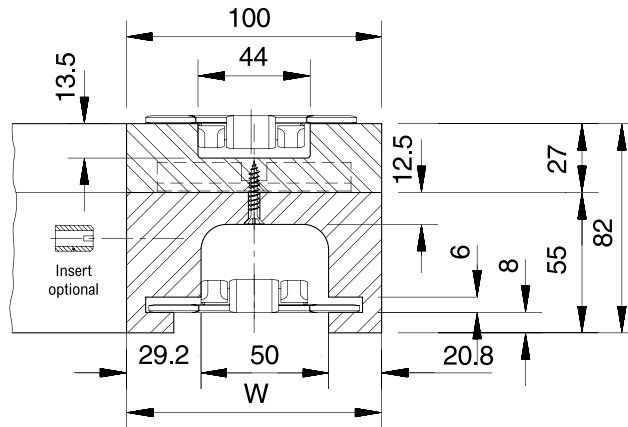


Return guide shoe

More than 6 tracks on request.

• For steel chains: 10/60/66 M 31 M, 60/66 M 31 XM, 66 M 31 RM, 60/66 M 84 XM.

## Magnetflex Combi-A Version C5A-C5C



Pag. 16, 19, 24

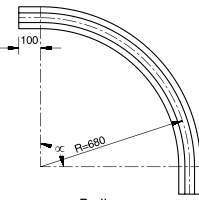


Pag. 31

Number of Tracks	1
Width W	100 mm

### Version C5A

15°	704.09.16
30°	704.09.31
45°	704.09.46
60°	704.09.61
75°	704.09.76
90°	704.09.01

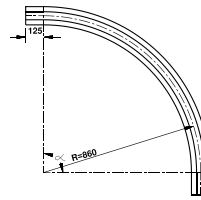


Radius

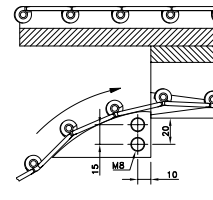
Number of Tracks	1
Width W	100 mm

### Version C5C

15°	704.11.16
30°	704.11.31
45°	704.11.46
60°	704.11.61
75°	704.11.76
90°	704.11.01



Radius



Return guide shoe for C5A-C5C

More than 1 track on request.

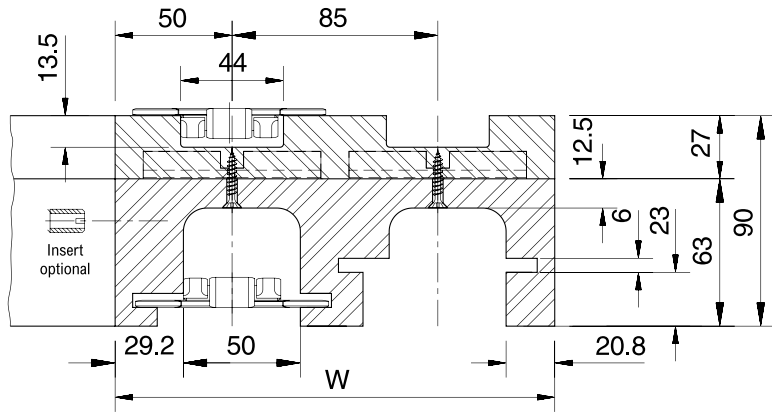
• For steel chains: 10/60/66 M 31 M, 60/66 M 31 SM, 66 M 31 RM, 60/66 M 84 SM.  
• For plastic chains: RHMP 325, RHMDP 325, RHMP 84.

More than 1 track on request.

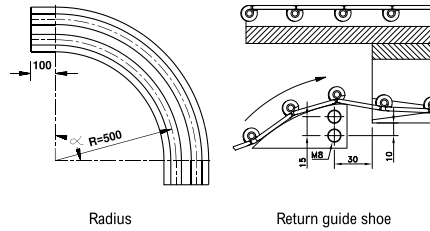
• For steel chains: 10/60/66 M 31 M, 60/66 M 31 SM, 66 M 31 RM, 60/66 M 84 SM, SSC 581 M-K325.  
• For plastic chains: RHMP 325, RHMDP 325, RHMP 84.



## Magnetflex Combi-A Version C6



Number of Tracks	1	2	3	4	5	6
Width W	100 mm	185 mm	270 mm	355 mm	440 mm	525 mm
<b>Version C6</b>						
15°	704.14.16	704.14.17	704.14.18	704.14.19	704.14.20	704.14.21
30°	704.14.31	704.14.32	704.14.33	704.14.34	704.14.35	704.14.36
45°	704.14.46	704.14.47	704.14.48	704.14.49	704.14.50	704.14.51
60°	704.14.61	704.14.62	704.14.63	704.14.64	704.14.65	704.14.66
75°	704.14.76	704.14.77	704.14.78	704.14.79	704.14.80	704.14.81
90°	704.14.01	704.14.02	704.14.03	704.14.04	704.14.05	704.14.06



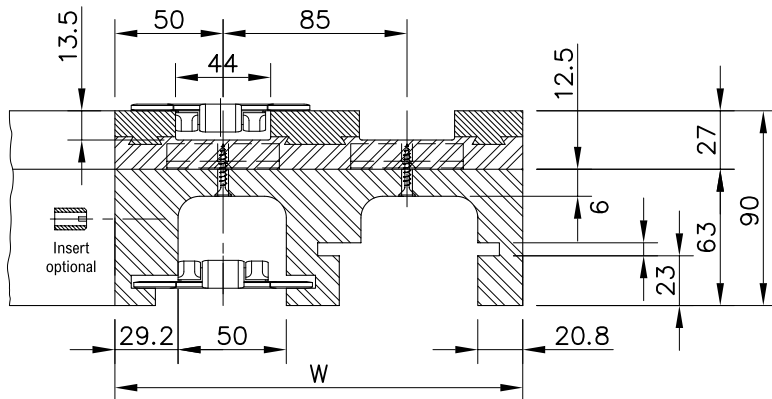
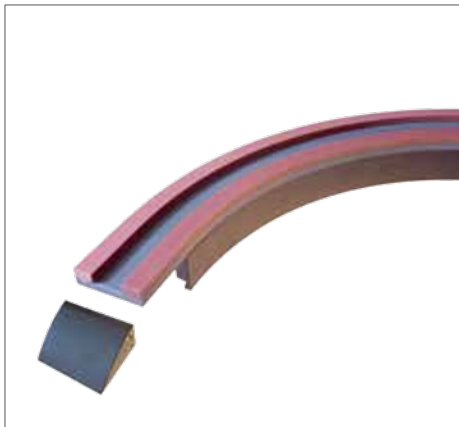
Radius

Return guide shoe

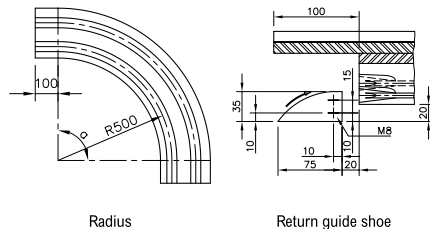
More than 6 tracks on request.

- For steel chains: 10/60/66 M 31 M, 60/66 M 31 XM, 66 M 31 RM, 60/66 M 84 XM.
- For plastic chains: RHMP 325, RHMDP 325, RHMP 84.

## Magnetflex Combi-X Version CX6



Number of Tracks	1	2	3	4	5	6
Width W	100 mm	185 mm	270 mm	355 mm	440 mm	525 mm
<b>Version CX6</b>						
15°	704.41.16	704.41.17	704.41.18	704.41.19	704.41.20	704.41.21
30°	704.41.31	704.41.32	704.41.33	704.41.34	704.41.35	704.41.36
45°	704.41.46	704.41.47	704.41.48	704.41.49	704.41.50	704.41.51
60°	704.41.61	704.41.62	704.41.63	704.41.64	704.41.65	704.41.66
75°	704.41.76	704.41.77	704.41.78	704.41.79	704.41.80	704.41.81
90°	704.41.01	704.41.02	704.41.03	704.41.04	704.41.05	704.41.06



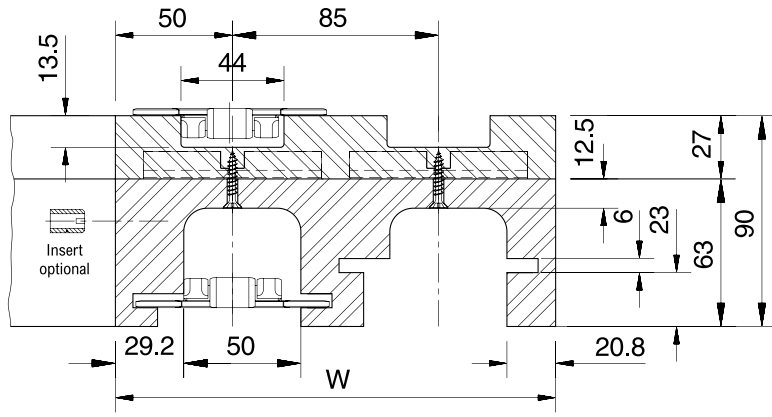
Radius

Return guide shoe

More than 6 tracks on request.

- For steel chains: 10/60/66 M 31 M, 60/66 M 31 XM, 66 M 31 RM, 60/66 M 84 XM.
- For plastic chains: RHMP 325, RHMDP 325, RHMP 84.

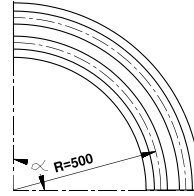
## Magnetflex Combi-A Version C7



Number of Tracks	1	2	3	4	5	6
Width W	100 mm	185 mm	270 mm	355 mm	440 mm	525 mm

### Version C7

15°	704.15.16	704.15.17	704.15.18	704.15.19	704.15.20	704.15.21
30°	704.15.31	704.15.32	704.15.33	704.15.34	704.15.35	704.15.36
45°	704.15.46	704.15.47	704.15.48	704.15.49	704.15.50	704.15.51
60°	704.15.61	704.15.62	704.15.63	704.15.64	704.15.65	704.15.66
75°	704.15.76	704.15.77	704.15.78	704.15.79	704.15.80	704.15.81
90°	704.15.01	704.15.02	704.15.03	704.15.04	704.15.05	704.15.06

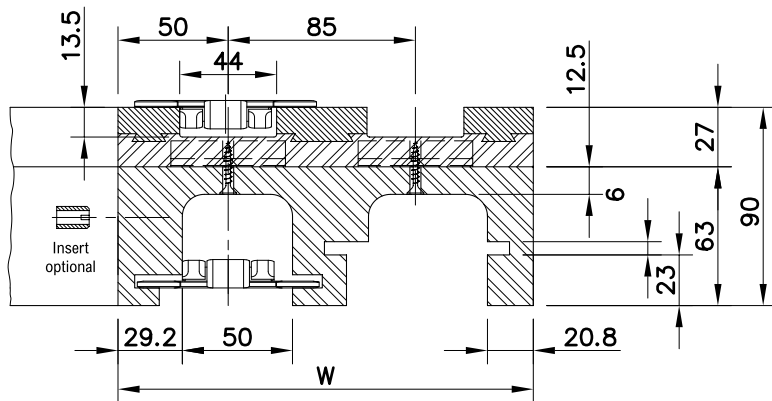
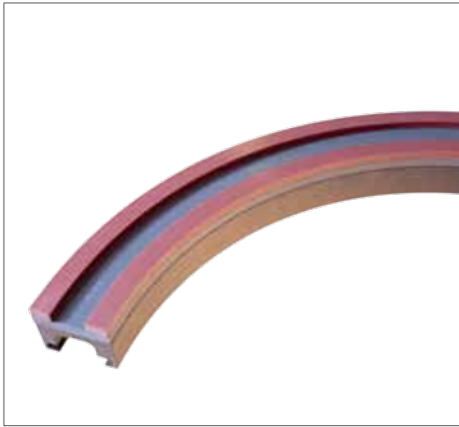


Radius

No return guide shoe

More than 6 tracks on request. The height of the return part is 55 mm in case of a single track C7.  
 • For steel chains: 10/60/66 M 31 M, 60/66 M 31 XM, 66 M 31 RM, 60/66 M 84 XM.  
 • For plastic chains: RHMP 325, RHMDP 325, RHMP 84.

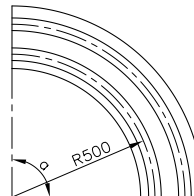
## Magnetflex Combi-X Version CX7



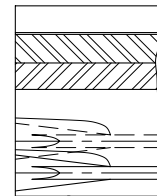
Number of Tracks	1	2	3	4	5	6
Width W	100 mm	185 mm	270 mm	355 mm	440 mm	525 mm

### Version CX7

15°	704.42.16	704.42.17	704.42.18	704.42.19	704.42.20	704.42.21
30°	704.42.31	704.42.32	704.42.33	704.42.34	704.42.35	704.42.36
45°	704.42.46	704.42.47	704.42.48	704.42.49	704.42.50	704.42.51
60°	704.42.61	704.42.62	704.42.63	704.42.64	704.42.65	704.42.66
75°	704.42.76	704.42.77	704.42.78	704.42.79	704.42.80	704.42.81
90°	704.42.01	704.42.02	704.42.03	704.42.04	704.42.05	704.42.06



Radius

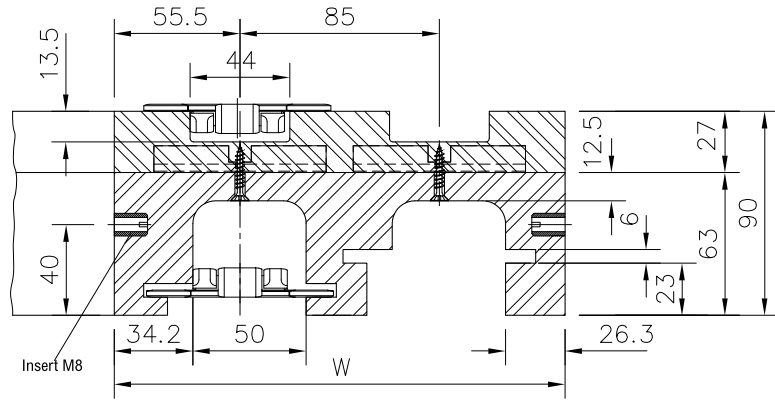


Return guide shoe

More than 6 tracks on request. The height of the return part is 55 mm in case of a single track C7.  
 • For steel chains: 10/60/66 M 31 M, 60/66 M 31 XM, 66 M 31 RM, 60/66 M 84 XM.  
 • For plastic chains: RHMP 325, RHMDP 325, RHMP 84.



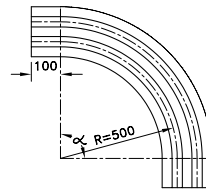
## Magnetflex Combi-A Version C14



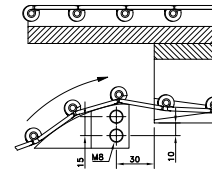
Number of Tracks	1	2	3	4	5	6
Width W	111 mm	196 mm	281 mm	366 mm	451 mm	536 mm

### Version C14

15°	704.19.16	704.19.17	704.19.18	704.19.19	704.19.20	704.19.21
30°	704.19.31	704.19.32	704.19.33	704.19.34	704.19.35	704.19.36
45°	704.19.46	704.19.47	704.19.48	704.19.49	704.19.50	704.19.51
60°	704.19.61	704.19.62	704.19.63	704.19.64	704.19.65	704.19.66
75°	704.19.76	704.19.77	704.19.78	704.19.79	704.19.80	704.19.81
90°	704.19.01	704.19.02	704.19.03	704.19.04	704.19.05	704.19.06



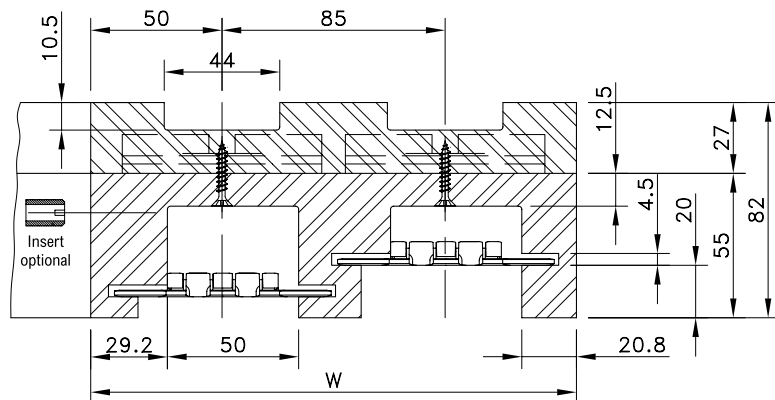
Radius



Return guide shoe

More than 6 tracks on request. C14 curves include inserts, of which the pattern varies per angle.  
 • For steel chains: 10/60/66 M 31 M, 60/66 M 31 XM, 66 M 31 RM, 60/66 M 84 XM.  
 • For plastic chains: RHMP 325, RHMDP 325, RHMP 84.

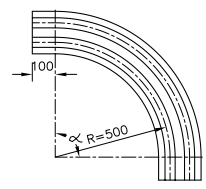
## Magnetflex Combi-A Version CF6



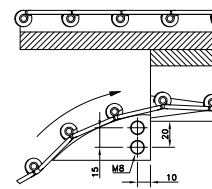
Number of Tracks	1	2	3	4	5	6
Width W	100 mm	185 mm	270 mm	355 mm	440 mm	525 mm

### Version CF6

15°	624.38.16	624.38.17	624.38.18	624.38.19	624.38.20	624.38.21
30°	624.38.31	624.38.32	624.38.33	624.38.34	624.38.35	624.38.36
45°	624.38.46	624.38.47	624.38.48	624.38.49	624.38.50	624.38.51
60°	624.38.61	624.38.62	624.38.63	624.38.64	624.38.65	624.38.66
75°	624.38.76	624.38.77	624.38.78	624.38.79	624.38.80	624.38.81
90°	624.38.01	624.38.02	624.38.03	624.38.04	624.38.05	624.38.06



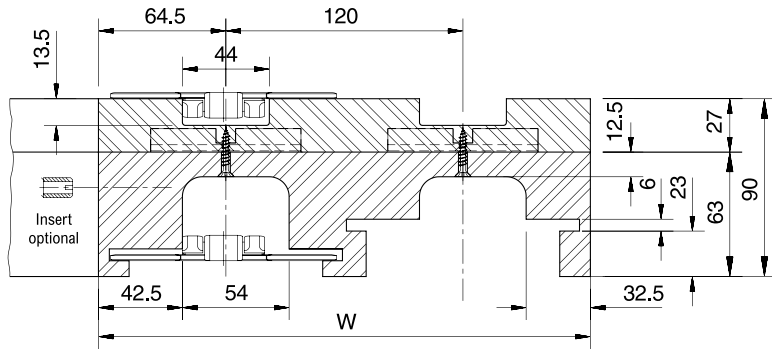
Radius



Return guide shoe

More than 6 tracks on request.  
 • Other curves, such as CF4, CF7, CF42 and CF5C can be supplied as well. Please ask Technical Support for all details.  
 • For steel chains: 661 M 31 SM, 661 M 84 SM.

## Magnetflex Combi-A Version C21A



Pag. 16



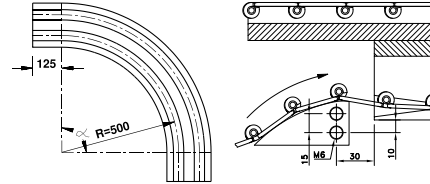
Pag. 31

Number of Tracks	1	2	3	4
Width W	129 mm	249 mm	369 mm	489 mm

### Version C21A

15°	714.08.16	714.08.17	714.08.18	714.08.19
30°	714.08.31	714.08.32	714.08.33	714.08.34
45°	714.08.46	714.08.47	714.08.48	714.08.49
60°	714.08.61	714.08.62	714.08.63	714.08.64
75°	714.08.76	714.08.77	714.08.78	714.08.79
90°	714.08.01	714.08.02	714.08.03	714.08.04

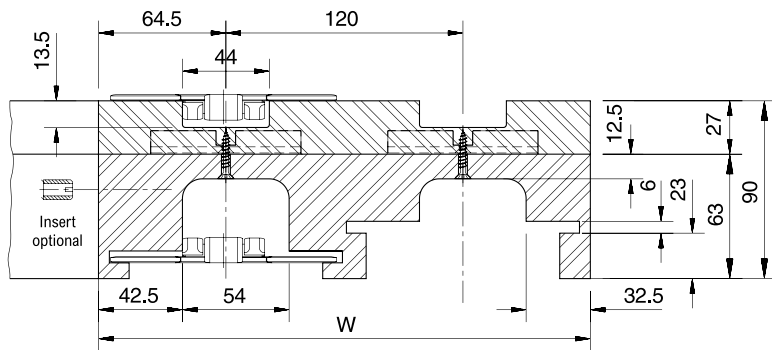
- More than 4 tracks on request.  
 • For steel chains: 10/60 M 42 M.  
 • For plastic chains: RHM 450, RHMD 450.



Radius

Return guide shoe

## Magnetflex Combi-A Version C22A



Pag. 16



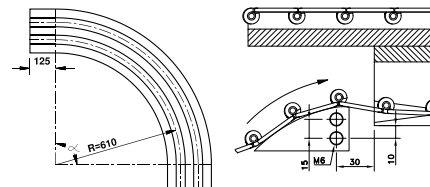
Pag. 31

Number of Tracks	1	2	3	4
Width W	129 mm	249 mm	369 mm	489 mm

### Version C22A

15°	714.09.16	714.09.17	714.09.18	714.09.19
30°	714.09.31	714.09.32	714.09.33	714.09.34
45°	714.09.46	714.09.47	714.09.48	714.09.49
60°	714.09.61	714.09.62	714.09.63	714.09.64
75°	714.09.76	714.09.77	714.09.78	714.09.79
90°	714.09.01	714.09.02	714.09.03	714.09.04

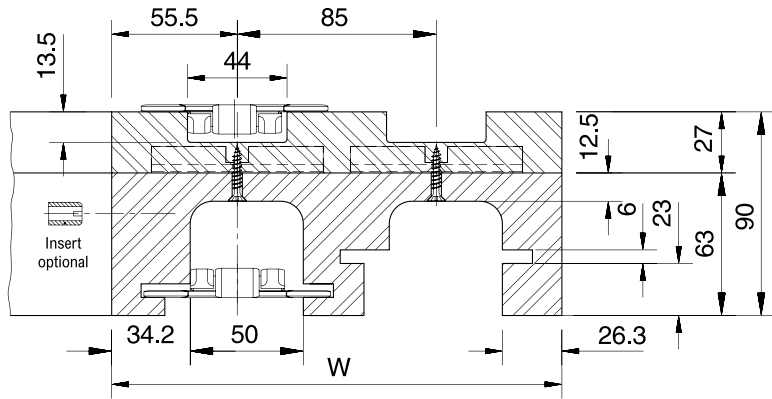
- More than 4 tracks on request.  
 • For steel chains: 10/60 M 42 M.  
 • For plastic chains: RHM 450, RHMD 450.



Radius

Return guide shoe

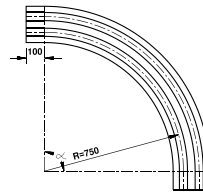
## Magnetflex Combi-A Version C42



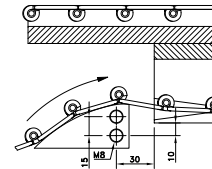
Number of Tracks	1	2	3	4	5	6
Width W	111 mm	196 mm	281 mm	366 mm	451 mm	536 mm

### Version C42

15°	704.28.16	704.28.17	704.28.18	704.28.19	704.28.20	704.28.21
30°	704.28.31	704.28.32	704.28.33	704.28.34	704.28.35	704.28.36
45°	704.28.46	704.28.47	704.28.48	704.28.49	704.28.50	704.28.51
60°	704.28.61	704.28.62	704.28.63	704.28.64	704.28.65	704.28.66
75°	704.28.76	704.28.77	704.28.78	704.28.79	704.28.80	704.28.81
90°	704.28.01	704.28.02	704.28.03	704.28.04	704.28.05	704.28.06



Radius

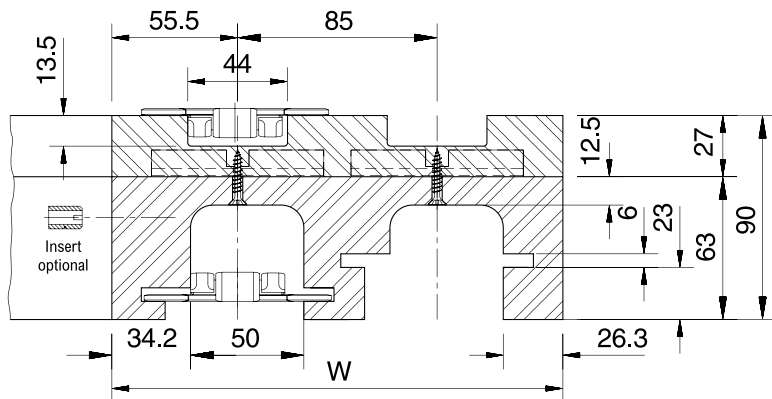


Return guide shoe

More than 6 tracks on request.

- For steel chains: 10/60/66 M 31 M, 60/66 M 31 XM, 66 M 31 RM, 60/66 M 84 XM.
- For plastic chains: RHMP 325, RHMDP 325, RHMP 84.

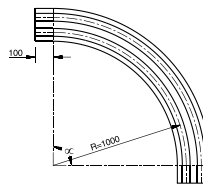
## Magnetflex Combi-A Version C43



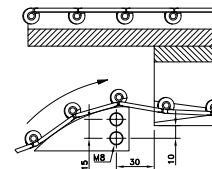
Number of Tracks	1	2	3	4	5	6
Width W	111 mm	196 mm	281 mm	366 mm	451 mm	536 mm

### Version C43

15°	704.29.16	704.29.17	704.29.18	704.29.19	704.29.20	704.29.21
30°	704.29.31	704.29.32	704.29.33	704.29.34	704.29.35	704.29.36
45°	704.29.46	704.29.47	704.29.48	704.29.49	704.29.50	704.29.51
60°	704.29.61	704.29.62	704.29.63	704.29.64	704.29.65	704.29.66
75°	704.29.76	704.29.77	704.29.78	704.29.79	704.29.80	704.29.81
90°	704.29.01	704.29.02	704.29.03	704.29.04	704.29.05	704.29.06



Radius

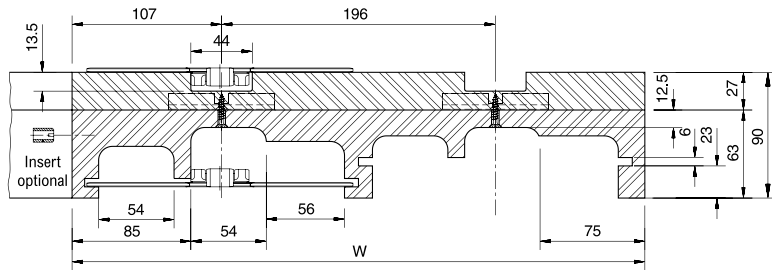


Return guide shoe

More than 6 tracks on request.

- For steel chains: 10/60/66 M 31 M, 60/66 M 31 XM, 66 M 31 RM, 60/66 M 84 XM, SSC 581 M-K325.
- For plastic chains: RHMP 325, RHMDP 325, RHMP 84.

## Magnetflex Combi-A Version C61



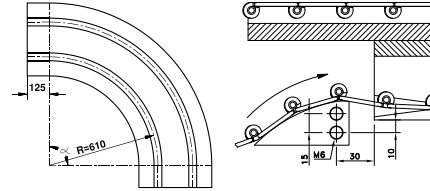
Number of Tracks	1	2	3	4
Width W	214 mm	410 mm	606 mm	802 mm

### Version C61

15°	724.05.16	724.05.17	724.05.18	724.05.19
30°	724.05.31	724.05.32	724.05.33	724.05.34
45°	724.05.46	724.05.47	724.05.48	724.05.49
60°	724.05.61	724.05.62	724.05.63	724.05.64
75°	724.05.76	724.05.77	724.05.78	724.05.79
90°	724.05.01	724.05.02	724.05.03	724.05.04

More than 4 tracks on request.

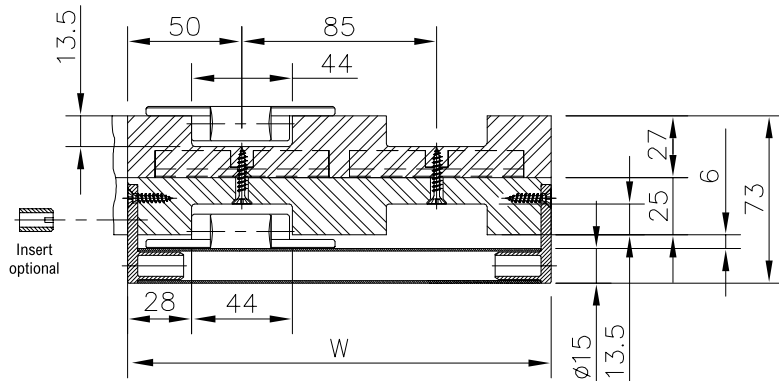
• For steel chains: 10/60/66 M 72 M, 66 M 72 RM.



Radius

Return guide shoe

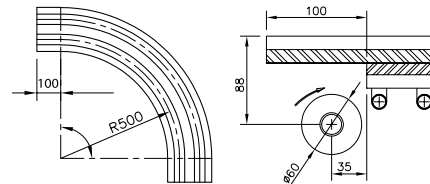
## Magnetflex Combi-A Version C6T



Number of Tracks	1	2	3	4	5	6
Width W	100 mm	185 mm	270 mm	355 mm	340 mm	525 mm

### Version C6T

15°	704.32.16	704.32.17	704.32.18	704.32.19	704.32.20	704.32.21
30°	704.32.31	704.32.32	704.32.33	704.32.34	704.32.35	704.32.36
45°	704.32.46	704.32.47	704.32.48	704.32.49	704.32.50	704.32.51
60°	704.32.61	704.32.62	704.32.63	704.32.64	704.32.65	704.32.66
75°	704.32.76	704.32.77	704.32.78	704.32.79	704.32.80	704.32.81
90°	704.32.01	704.32.02	704.32.03	704.32.04	704.32.05	704.32.06



Radius

Optional Infeed Roller

More than 6 tracks on request.

• For plastic chains: RHMP 325, RHMDP 325, RHMP 84.

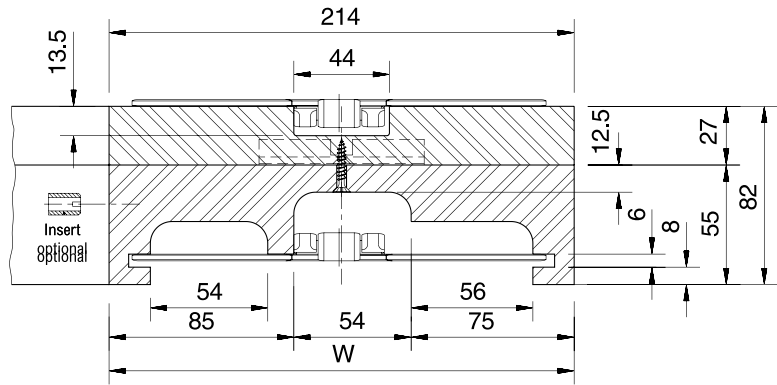
• Not suitable for steel chains.

Also available in the following executions:

• COMBI A VERSION CB6T suitable for: FGM 1050 and FTM 1060 chainbelts.

• COMBI A VERSION CC6T suitable for: FTM 1055 chainbelts.

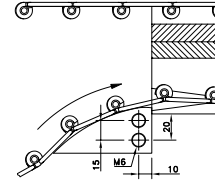
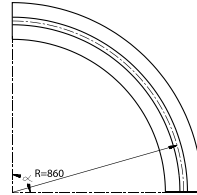
## Magnetflex Combi-A Version C65



<b>Number of Tracks</b>	<b>1</b>
<b>Width W</b>	<b>214 mm</b>

Version C65	
15°	724.07.16
30°	724.07.31
45°	724.07.46
60°	724.07.61
75°	724.07.76
90°	724.07.01

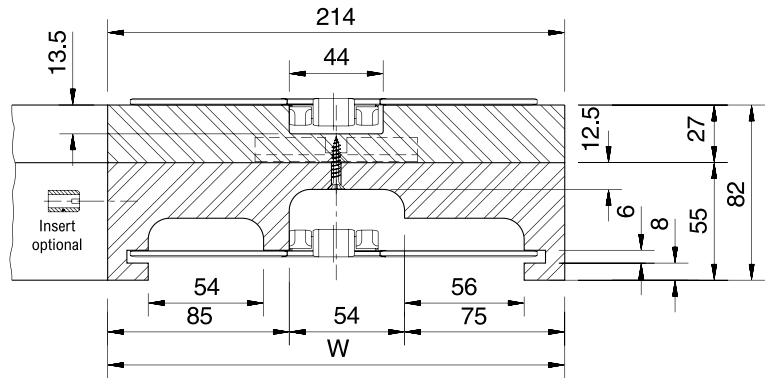
More than 1 track on request.  
 • For steel chains: 10/60/66 M 72 M, 66 M 72 RM.



Radius

Return guide shoe

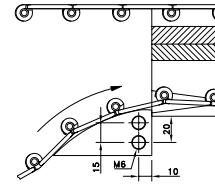
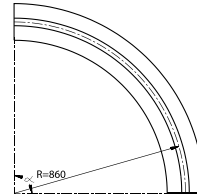
## Magnetflex Combi-A Version C66



<b>Number of Tracks</b>	<b>1</b>
<b>Width W</b>	<b>214 mm</b>

Version C66	
15°	724.11.16
30°	724.11.31
45°	724.11.46
60°	724.11.61
75°	724.11.76
90°	724.11.01

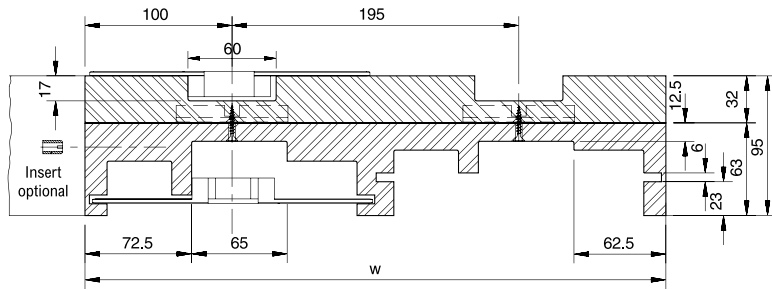
More than 1 track on request.  
 • For steel chains: 10/60/66 M 72 M, 66 M 72 RM.



Radius

Return guide shoe

## Magnetflex Combi-A Version C81



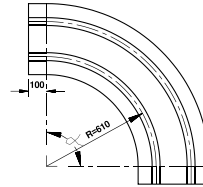
Number of Tracks	1	2	3	4
Width W	200 mm	395 mm	590 mm	785 mm

### Version C81

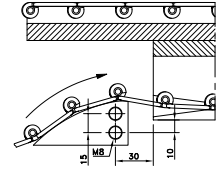
15°	724.31.16	724.31.17	724.31.18	724.31.19
30°	724.31.31	724.31.32	724.31.33	724.31.34
45°	724.31.46	724.31.47	724.31.48	724.31.49
60°	724.31.61	724.31.62	724.31.63	724.31.64
75°	724.31.76	724.31.77	724.31.78	724.31.79
90°	724.31.01	724.31.02	724.31.03	724.31.04

More than 4 tracks on request.

• For plastic chains: HDFM 750 XL/SG.

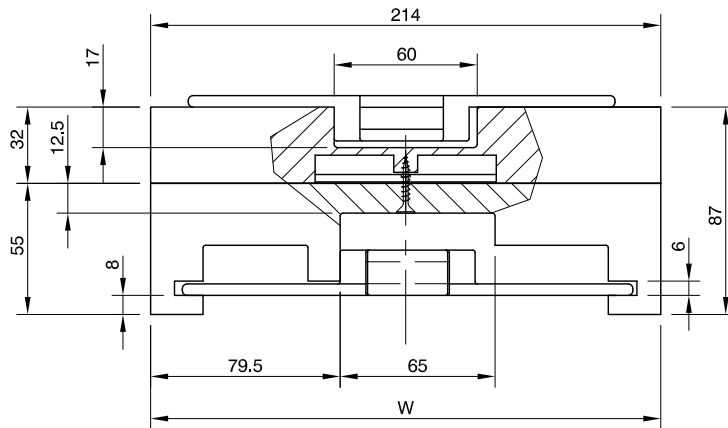


Radius



Return guide shoe

## Magnetflex Combi-A Version C86



Number of Tracks	1
Width W	214 mm

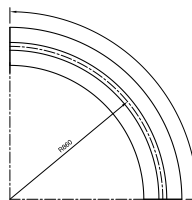
### Version C86

15°	724.36.16
30°	724.36.31
45°	724.36.46
60°	724.36.61
75°	724.36.76
90°	724.36.01

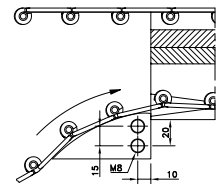
More than 1 track on request.

• For steel chains: 60/66 M 75 M, 66 M 75 RM.

• For plastic chains: HDFM 750 XL/SG.



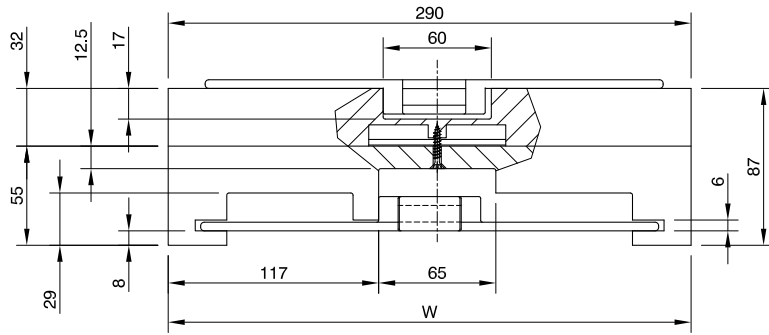
Radius



Return guide shoe



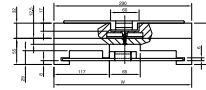
## Magnetflex Combi-A Version C91



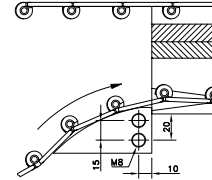
<b>Number of Tracks</b>	<b>1</b>
<b>Width W</b>	<b>290 mm</b>

Version C91	
15°	724.42.16
30°	724.42.31
45°	724.42.46
60°	724.42.61
75°	724.42.76
90°	724.42.01

More than 1 track on request.  
 • For plastic chains: HDFM 1000 XL/SG.

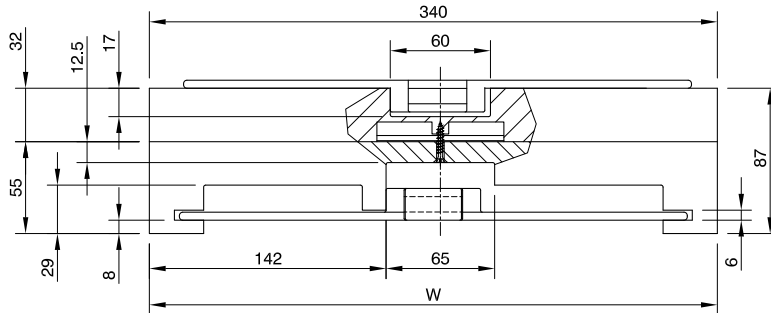


Radius



Return guide shoe

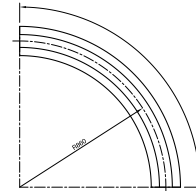
## Magnetflex Combi-A Version C96



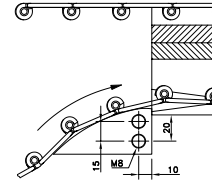
<b>Number of Tracks</b>	<b>1</b>
<b>Width W</b>	<b>340 mm</b>

Version C96	
15°	724.44.16
30°	724.44.31
45°	724.44.46
60°	724.44.61
75°	724.44.76
90°	724.44.01

More than 1 track on request.  
 • For plastic chains: HDFM 1200 XL/SG.

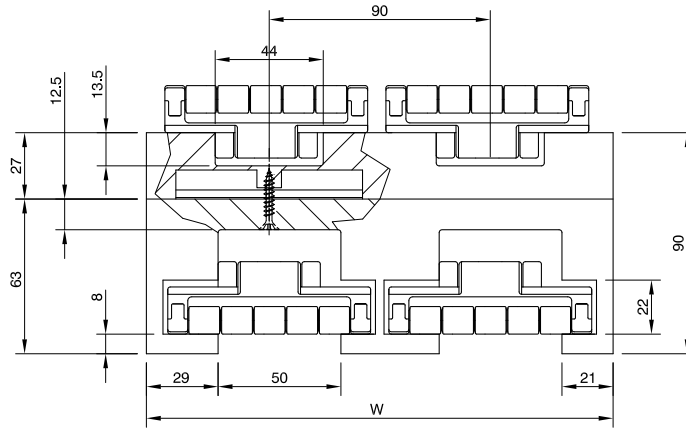


Radius

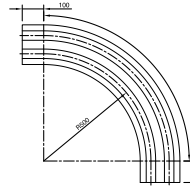


Return guide shoe

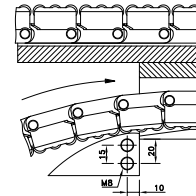
## Magnetflex Combi-A Version LBP2



Number of Tracks	1	2	3	4	5	6
Width W	mm	mm	mm	mm	mm	mm
<b>Version LBP2</b>						
15°	704.34.16	704.34.17	704.34.18	704.34.19	704.34.20	704.34.21
30°	704.34.31	704.34.32	704.34.33	704.34.34	704.34.35	704.34.36
45°	704.34.46	704.34.47	704.34.48	704.34.49	704.34.50	704.34.51
60°	704.34.61	704.34.62	704.34.63	704.34.64	704.34.65	704.34.66
75°	704.34.76	704.34.77	704.34.78	704.34.79	704.34.80	704.34.81
90°	704.34.01	704.34.02	704.34.03	704.34.04	704.34.05	704.34.06



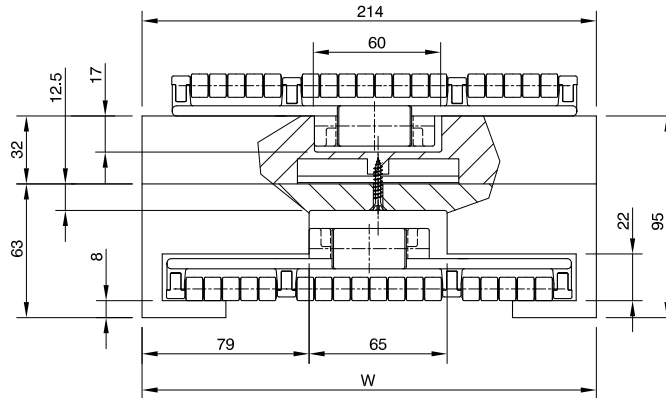
Radius



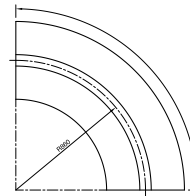
Return guide shoe

More than 6 tracks on request.  
• For plastic chains: RHMD 325 LBP.

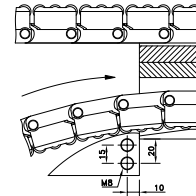
## Magnetflex Combi-A Version LBP861



Number of Tracks	1
Width W	214 mm
<b>Version LBP861</b>	
15°	724.47.16
30°	724.47.31
45°	724.47.46
60°	724.47.61
75°	724.47.76
90°	724.47.01



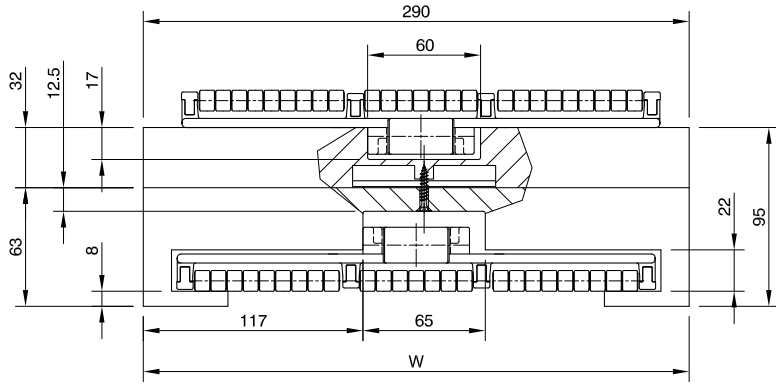
Radius



Return guide shoe

More than 1 track on request.  
• For plastic chains: HDFM 750 LBP.

## Magnetflex Combi-A Version LBP91

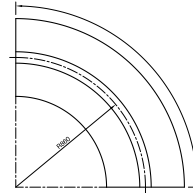


<b>Number of Tracks</b>	<b>1</b>
-------------------------	----------

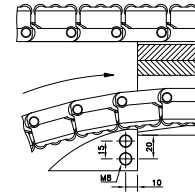
<b>Width W</b>	<b>290 mm</b>
----------------	---------------

Version LBP91	
15°	724.45.16
30°	724.45.31
45°	724.45.46
60°	724.45.61
75°	724.45.76
90°	724.45.01

More than 1 track on request.  
 • For plastic chains: HDFM 1000 LBP.

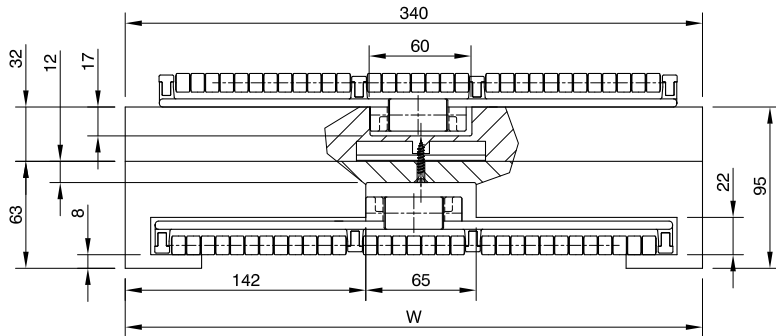


Radius



Return guide shoe

## Magnetflex Combi-A Version LBP96

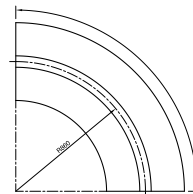


<b>Number of Tracks</b>	<b>1</b>
-------------------------	----------

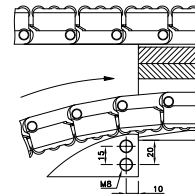
<b>Width W</b>	<b>340 mm</b>
----------------	---------------

Version LBP96	
15°	724.46.16
30°	724.46.31
45°	724.46.46
60°	724.46.61
75°	724.46.76
90°	724.46.01

More than 1 track on request.  
 • For plastic chains: HDFM 1200 LBP.

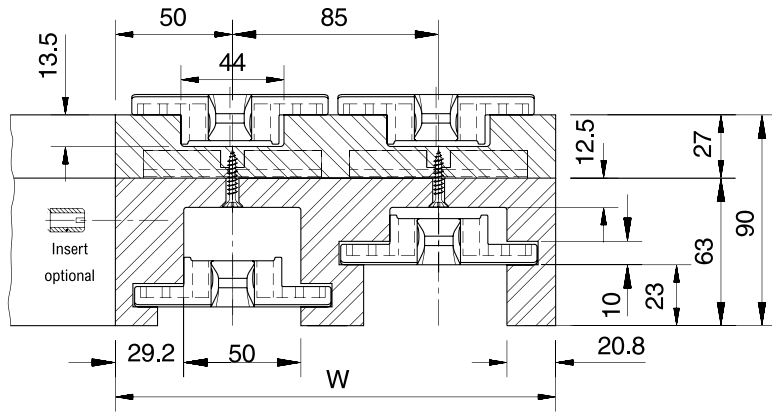


Radius

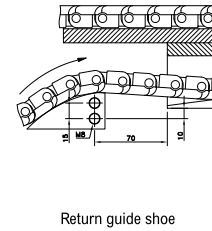
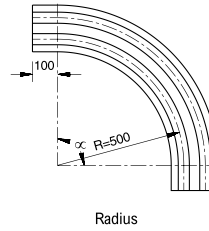


Return guide shoe

## Magnetflex Combi-A Version CB6

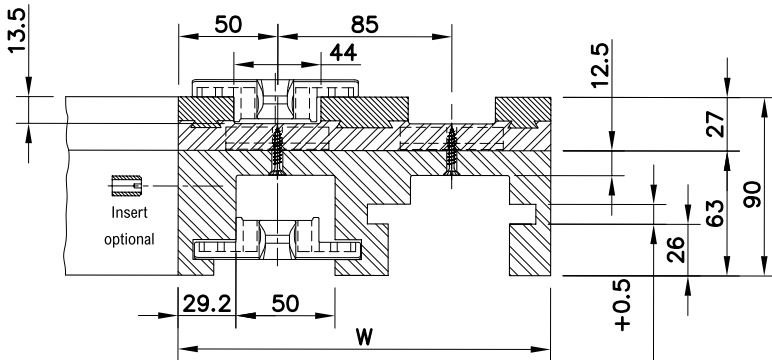
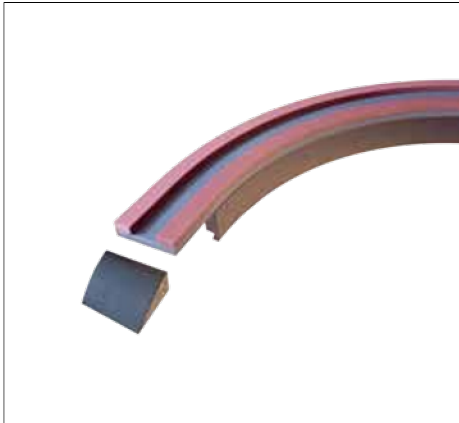


Number of Tracks	1	2	3	4	5	6
Width W	100 mm	185 mm	270 mm	355 mm	440 mm	525 mm
<b>Version CB6</b>						
15°	604.14.16	604.14.17	604.14.18	604.14.19	604.14.20	604.14.21
30°	604.14.31	604.14.32	604.14.33	604.14.34	604.14.35	604.14.36
45°	604.14.46	604.14.47	604.14.48	604.14.49	604.14.50	604.14.51
60°	604.14.61	604.14.62	604.14.63	604.14.64	604.14.65	604.14.66
75°	604.14.76	604.14.77	604.14.78	604.14.79	604.14.80	604.14.81
90°	604.14.01	604.14.02	604.14.03	604.14.04	604.14.05	604.14.06

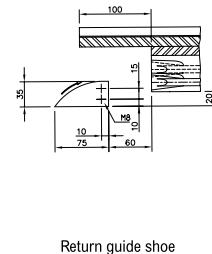
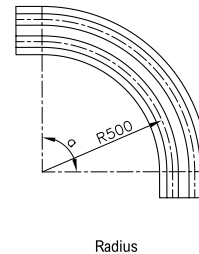


More than 6 tracks on request.  
• For plastic chains: FGM 1050, FTM 1060.

## Magnetflex Combi-X Version CXB6

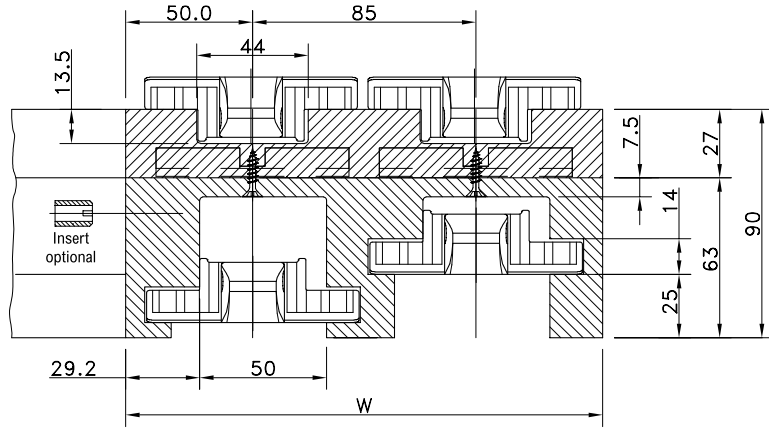


Number of Tracks	1	2	3	4	5	6
Width W	100 mm	185 mm	270 mm	355 mm	440 mm	525 mm
<b>Version CXB6</b>						
15°	604.41.16	604.41.17	604.41.18	604.41.19	604.41.20	604.41.21
30°	604.41.31	604.41.32	604.41.33	604.41.34	604.41.35	604.41.36
45°	604.41.46	604.41.47	604.41.48	604.41.49	604.41.50	604.41.51
60°	604.41.61	604.41.62	604.41.63	604.41.64	604.41.65	604.41.66
75°	604.41.76	604.41.77	604.41.78	604.41.79	604.41.80	604.41.81
90°	604.41.01	604.41.02	604.41.03	604.41.04	604.41.05	604.41.06

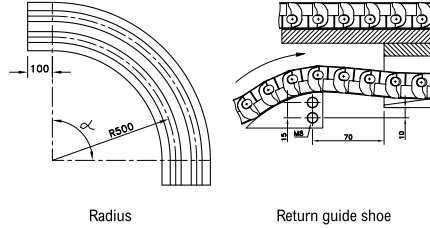


More than 6 tracks on request.  
• For plastic chains: FGM 1050, FTM 1060.

# Magnetflex Combi-A Version CC6

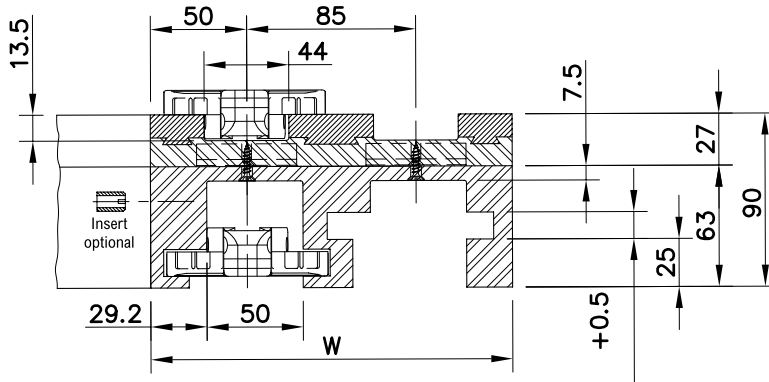
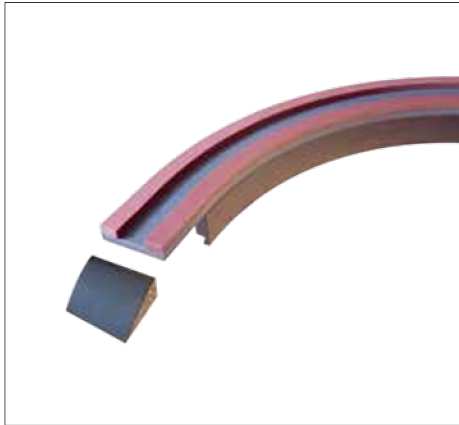


Number of Tracks	1	2	3	4	5	6
Width W	100 mm	185 mm	270 mm	355 mm	440 mm	525 mm
<b>Version CC6</b>						
15°	614.02.16	614.02.17	614.02.18	614.02.19	614.02.20	614.02.21
30°	614.02.31	614.02.32	614.02.33	614.02.34	614.02.35	614.02.36
45°	614.02.46	614.02.47	614.02.48	614.02.49	614.02.50	614.02.51
60°	614.02.61	614.02.62	614.02.63	614.02.64	614.02.65	614.02.66
75°	614.02.76	614.02.77	614.02.78	614.02.79	614.02.80	614.02.81
90°	614.02.01	614.02.02	614.02.03	614.02.04	614.02.05	614.02.06

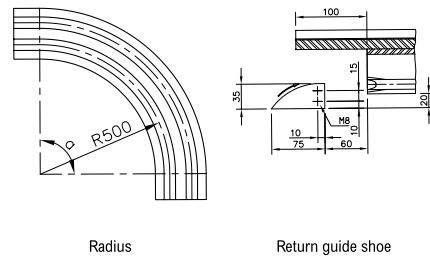


More than 6 tracks on request.  
 • For plastic chains: FTM 1055 K330.

# Magnetflex Combi-X Version CXC6

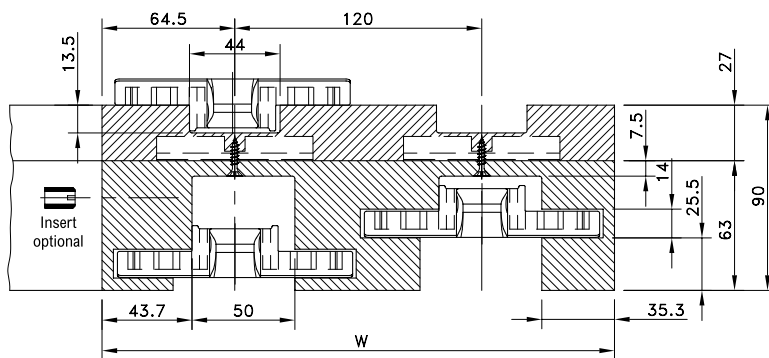


Number of Tracks	1	2	3	4	5	6
Width W	100 mm	185 mm	270 mm	355 mm	440 mm	525 mm
<b>Version CXC6</b>						
15°	614.10.16	614.10.17	614.10.18	614.10.19	614.10.20	614.10.21
30°	614.10.31	614.10.32	614.10.33	614.10.34	614.10.35	614.10.36
45°	614.10.46	614.10.47	614.10.48	614.10.49	614.10.50	614.10.51
60°	614.10.61	614.10.62	614.10.63	614.10.64	614.10.65	614.10.66
75°	614.10.76	614.10.77	614.10.78	614.10.79	614.10.80	614.10.81
90°	614.10.01	614.10.02	614.10.03	614.10.04	614.10.05	614.10.06



More than 6 tracks on request.  
 • For plastic chains: FTM 1055 K330.

# Magnetflex Combi-A Version CC21

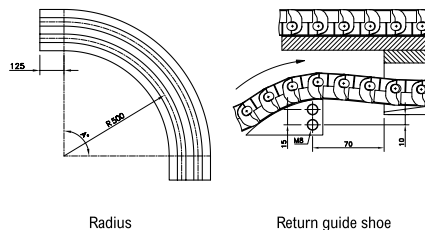


Number of Tracks	1	2	3	4
Width W	129 mm	249 mm	369 mm	489 mm

## Version CC21

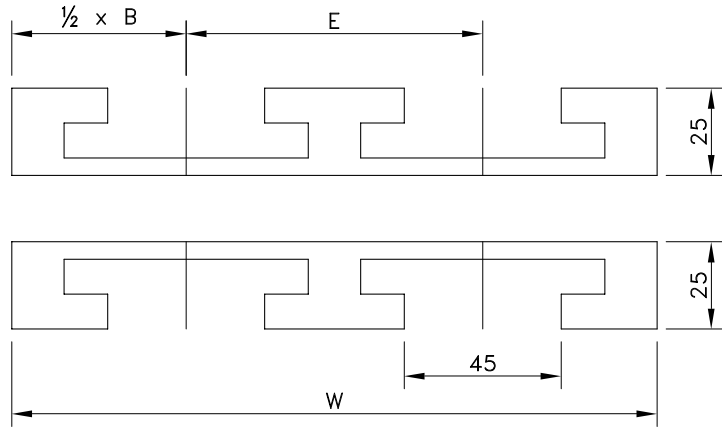
	1	2	3	4
15°	614.08.16	614.08.17	614.08.18	614.08.19
30°	614.08.31	614.08.32	614.08.33	614.08.34
45°	614.08.46	614.08.47	614.08.48	614.08.49
60°	614.08.61	614.08.62	614.08.63	614.08.64
75°	614.08.76	614.08.77	614.08.78	614.08.79
90°	614.08.01	614.08.02	614.08.03	614.08.04

More than 4 tracks on request.  
 • For plastic chains: FTM 1055 K450.





# KTX for single hinge chains



Number of Tracks	1	2	3	Pitch	Basic Width	Radius
				E	M	R
				mm	mm	mm

### Version KTX 013

Width W	100 mm	190 mm	280 mm	For 3.25" wide chains		
15°	L0KTX649933	L0KTX649943	L0KTX649953	90	100	500
30°	L0KTX649963	L0KTX649973	L0KTX649983			
45°	L0KTX649993	L0KTX650003	L0KTX650013			
60°	L0KTX650023	L0KTX650033	L0KTX650043			
75°	L0KTX650053	L0KTX650063	L0KTX650073			
90°	L0KTX650083	L0KTX650093	L0KTX650103			

### Version KTX 018

Width W	125 mm	245 mm	365 mm	For 4.50" wide chains		
15°	L0KTX650113	L0KTX650123	L0KTX650133	120	120	120
30°	L0KTX650143	L0KTX650153	L0KTX650163			
45°	L0KTX650173	L0KTX650183	L0KTX650193			
60°	L0KTX650203	L0KTX650213	L0KTX650223			
75°	L0KTX650233	L0KTX650243	L0KTX650253			
90°	L0KTX650263	L0KTX650273	L0KTX650283			

### Version KTU 013

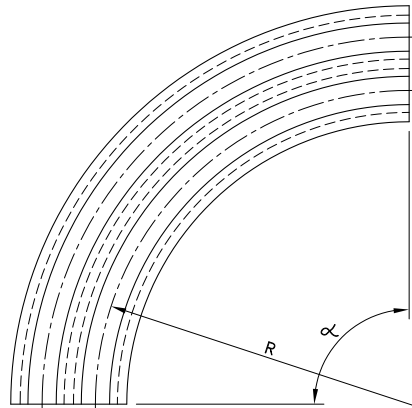
Width W	100 mm	190 mm	280 mm	For 3.25" wide chains		
15°	787.02.77	787.0 8.24	787.08.25	90	100	500
30°	787.05.60	787.08.29	787.08.30			
45°	787.03.08	787.04.06	787.08.34			
60°	787.05.71	787.08.38	787.08.39			
75°	787.05.77	787.08.43	787.08.44			
90°	787.00.02	787.00.51	787.00.50			

### Version KTU 018

Width W	125 mm	245 mm	365 mm	For 4.50" wide chains		
15°	787.08.49	787.08.50	787.08.51	120	125	610
30°	787.08.55	787.08.56	787.08.57			
45°	787.07.37	787.08.61	787.08.62			
60°	787.08.66	787.08.67	787.08.68			
75°	787.08.72	787.08.73	787.08.74			
90°	787.01.09	787.00.87	787.01.10			

### Version KTU 030

Width W	200 mm	395 mm	590 mm	For 7.50" wide chains		
15°	787.08.80	787.08.81	787.08.82	195	200	610
30°	787.08.86	787.08.87	787.08.88			
45°	787.08.92	787.08.93	787.08.94			
60°	787.08.98	787.08.99	787.09.00			
75°	787.09.04	787.09.05	787.09.06			
90°	787.00.07	787.01.11	787.01.12			



For steel chains:

- 8811 TAB
- 881 TAB
- 66 T 72 RM

For plastic chains:

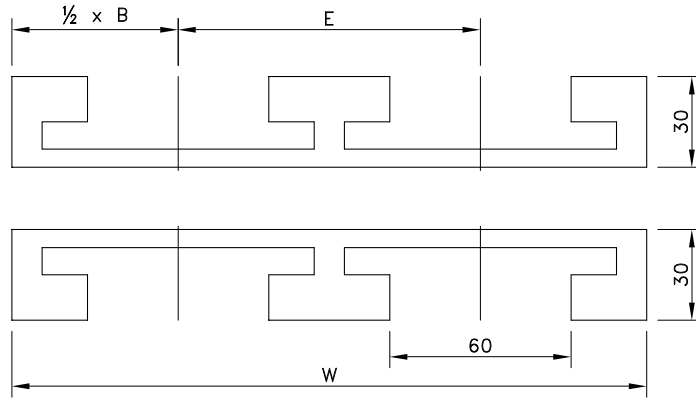
- 880 TAB
- 880 TAB BO
- 879 TAB
- 879 TAB BO
- 880 TAB BOT
- RH
- RHD
- 1050 TAB
- 1055 TAB

# KTU for single hinge chains



The code nr. includes both upper and under part.

# KTU 200 For Heavy Duty Chains



Number of Tracks	1	2	3	Pitch E	Basic Width M	Radius R
				mm	mm	mm

### Version KTU 215

Width W	110 mm	210 mm	310 mm	For 3.25" and 3.75" wide		
15°	787.12.09	787.12.10	787.12.11	100	110	700
30°	787.12.15	787.12.16	787.12.17			
45°	787.12.21	787.12.22	787.12.23			
60°	787.12.27	787.12.28	787.12.29			
75°	787.12.33	787.12.34	787.12.35			
90°	787.00.05	787.12.39	787.12.40			

### Version KTU 218

Width W	130 mm	250 mm	370 mm	For 4.50" wide chains		
15°	787.11.08	787.11.09	787.11.10	120	130	610
30°	787.11.14	787.11.15	787.11.16			
45°	787.04.69	787.11.20	787.11.21			
60°	787.04.07	787.11.25	787.11.26			
75°	787.11.30	787.11.31	787.11.32			
90°	787.02.80	787.07.80	787.11.36			

### Version KTU 230

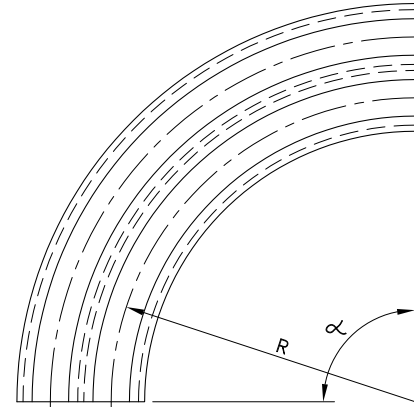
Width W	210 mm	405 mm	600 mm	For 7.50" wide chains		
15°	787.11.40	787.11.41	787.11.42	195	210	610
30°	787.11.46	787.11.47	787.11.48			
45°	787.04.68	787.11.52	787.11.53			
60°	787.11.57	787.11.58	787.11.59			
75°	787.11.63	787.11.64	787.11.65			
90°	787.00.54	787.11.69	787.11.70			

### Version KTU 240

Width W	270 mm	530 mm	790 mm	For 10.00" wide chains		
15°	787.11.74	787.11.75	787.11.76	260	270	610
30°	787.11.80	787.11.81	787.11.82			
45°	787.11.86	787.11.87	787.11.88			
60°	787.11.92	787.11.93	787.11.94			
75°	787.11.98	787.11.99	787.12.00			
90°	787.00.06	787.03.26	787.12.04			

### Version KTU 248

Width W	320 mm	630 mm	940 mm	For 12.00" wide chains *		
15°	787.12.44	787.12.45	787.12.46	310	320	610
30°	787.12.50	787.12.51	787.12.52			
45°	787.12.56	787.12.57	787.12.58			
60°	787.12.62	787.12.63	787.12.64			
75°	787.12.68	787.12.69	787.12.70			
90°	787.00.21	787.12.74	787.12.75			

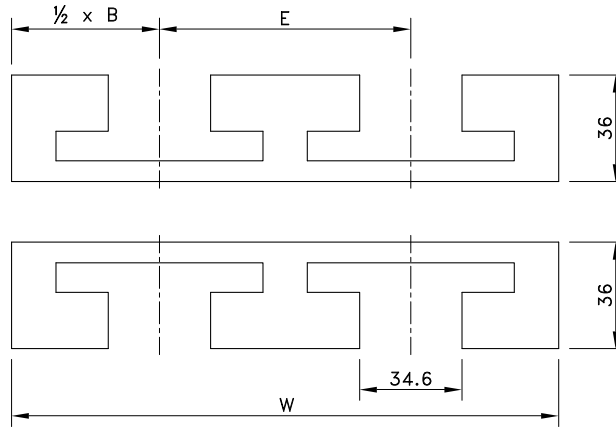


For plastic chains:

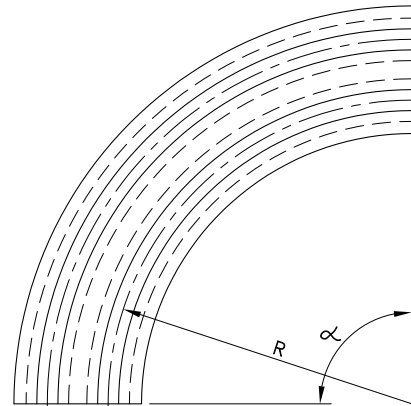
- 882 TAB
- 883 TAB
- HDF

\* Not for LBP 1200 chains.  
The code nr. includes both upper and under part.

# KTU 300 For PlateTop Chains



Number of Tracks	1	2	3	Pitch E	Basic Width B	Radius R
				mm	mm	mm
<b>Version KTU 313</b>						
Width W	100 mm	190 mm	280 mm	For 3.25" wide chains		
15°	787.09.13	787.09.14	787.09.15	90	100	500
30°	787.09.19	787.09.20	787.09.21			
45°	787.09.25	787.09.26	787.09.27			
60°	787.09.31	787.09.32	787.09.33			
75°	787.09.37	787.09.38	787.09.39			
90°	787.01.13	787.01.14	787.01.15			
<b>Version KTU 318</b>						
Width W	125 mm	245 mm	365 mm	For 4.50" wide chains		
15°	787.09.45	787.09.46	787.09.47	120	125	500
30°	787.09.51	787.09.52	787.09.53			
45°	787.07.50	787.09.57	787.09.58			
60°	787.09.62	787.09.63	787.09.64			
75°	787.09.68	787.09.69	787.09.70			
90°	787.01.16	787.01.17	787.01.18			
<b>Version KTU 324</b>						
Width W	160 mm	320 mm	480 mm	For 6.00" wide chains		
15°	787.09.77	787.09.78	787.09.79	160	160	610
30°	787.09.83	787.09.84	787.09.85			
45°	787.09.89	787.09.90	787.09.91			
60°	787.09.95	787.09.96	787.09.97			
75°	787.10.01	787.10.02	787.10.03			
90°	787.01.19	787.01.20	787.01.21			
<b>Version KTU 330</b>						
Width W	200 mm	395 mm	590 mm	For 7.50" wide chains		
15°	787.10.10	787.10.11	787.10.12	195	200	610
30°	787.10.16	787.10.17	787.10.18			
45°	787.10.22	787.10.23	787.10.24			
60°	787.10.28	787.10.29	787.10.30			
75°	787.10.34	787.10.35	787.10.36			
90°	787.01.22	787.01.23	787.01.24			
<b>Version KTU 340</b>						
Width W	260 mm	520 mm	780 mm	For 10.00" wide chains		
15°	787.10.43	787.10.44	787.10.45	260	260	610
30°	787.10.49	787.10.50	787.10.51			
45°	787.04.70	787.10.55	787.10.56			
60°	787.10.60	787.10.61	787.10.62			
75°	787.10.66	787.10.67	787.10.68			
90°	787.01.25	787.01.26	787.01.27			
<b>Version KTU 348</b>						
Width W	310 mm	620 mm	930 mm	For 12.00" wide chains		
15°	787.10.75	787.10.76	787.10.77	310	310	610
30°	787.10.81	787.10.82	787.10.83			
45°	787.10.87	787.10.88	787.10.89			
60°	787.10.93	787.10.94	787.10.95			
75°	787.10.99	787.11.00	787.11.01			
90°	787.01.28	787.01.29	787.01.30			

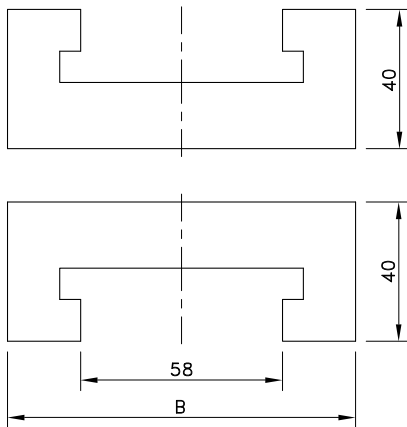


For plate top chains:

- 1873 TAB
- 1874 TAB
- 3873 TAB

The code nr. includes both upper and under part.

# KTU 500 For Multiflex Chains



Number of Tracks	1	Basic Width B
		mm

### Version KTU 508

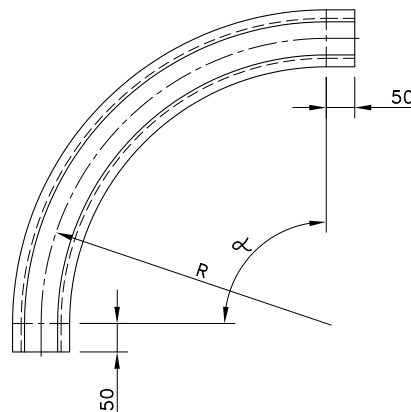
Width W	250 mm	500 mm	For 1700 TAB K
15°	787.12.79	787.12.89	100
30°	787.12.80	787.04.35	
45°	787.12.81	787.12.90	
60°	787.12.82	787.12.91	
75°	787.12.83	787.12.92	
90°	787.03.31	787.01.81	

### Version KTU 515

Width W	250 mm	500 mm	For 1710 TAB K
15°	787.12.84	787.12.93	110
30°	787.12.85	787.12.94	
45°	787.12.86	787.12.95	
60°	787.12.87	787.12.96	
75°	787.12.88	787.12.97	
90°	787.02.97	787.00.40	

### Version KTU 540

Width W	500 mm	For 1713 TAB K
15°	787.12.98	270
30°	787.12.99	
45°	787.13.00	
60°	787.13.01	
75°	787.13.02	
90°	787.03.63	

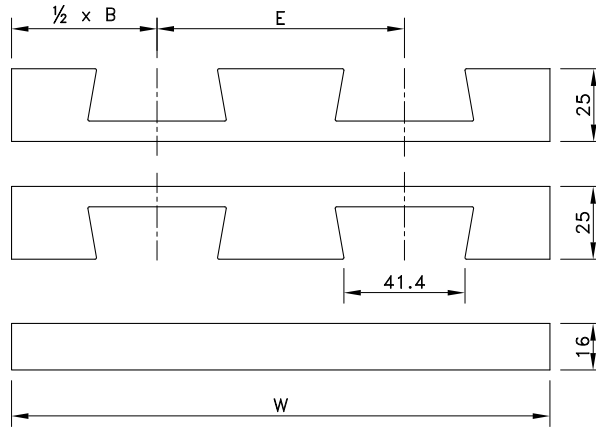


For plastic Multiflex chains:

- 1700 TAB K
- 1710 TAB K
- 1713 TAB K

The code nr. includes both upper and under part.

# KSU for single hinge chains



Number of Tracks	1	2	3	Pitch E	Basic Width B	Radius R
				mm	mm	mm

### Version KSU 013

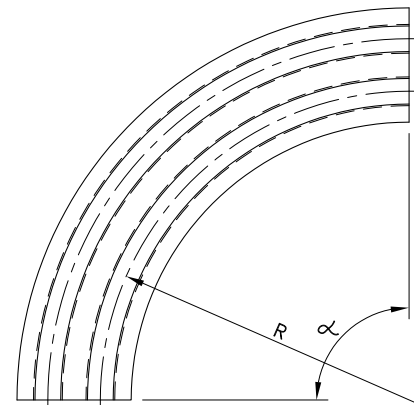
Width W	100 mm	190 mm	280 mm	For 3.25" wide chains		
15°	787.13.03	787.13.04	787.13.05	90	100	500
30°	787.02.50	787.13.09	787.13.10			
45°	787.02.51	787.13.14	787.13.15			
60°	787.13.19	787.13.20	787.13.21			
75°	787.13.25	787.13.26	787.13.27			
90°	787.00.85	787.00.97	787.00.75			

### Version KSU 018

Width W	125 mm	245 mm	365 mm	For 4.50" wide chains		
15°	787.13.33	787.13.34	787.13.35	120	125	610
30°	787.13.39	787.13.40	787.13.41			
45°	787.13.45	787.13.46	787.13.47			
60°	787.13.51	787.13.52	787.13.53			
75°	787.13.57	787.13.58	787.13.59			
90°	787.00.17	787.00.98	787.00.99			

### Version KSU 030

Width W	200 mm	395 mm	590 mm	For 7.50" wide chains		
15°	787.13.66	787.13.67	787.13.68	195	200	610
30°	787.13.72	787.13.73	787.13.74			
45°	787.13.78	787.13.79	787.13.80			
60°	787.13.84	787.13.85	787.13.86			
75°	787.13.90	787.13.91	787.13.92			
90°	787.00.94	787.01.00	787.01.01			



For steel chains:

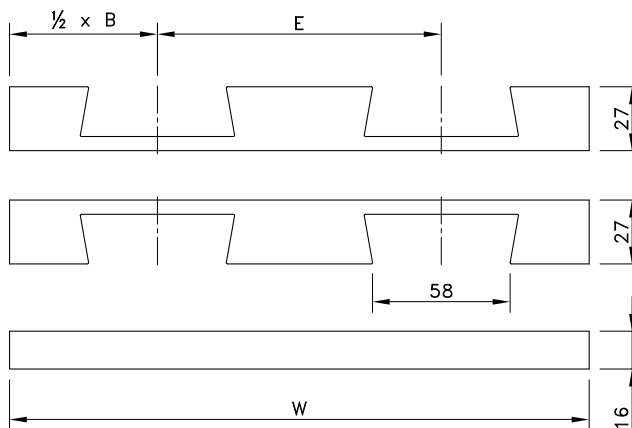
- 8811
- 881
- 66 B 72 RM

For plastic chains:

- 880
- 879

The code nr. includes both upper and under part.

# KSU for Heavy Duty chains



Number of Tracks	1	2	3	Pitch E	Basic Width B	Radius R
				mm	mm	mm

### Version KSU 218

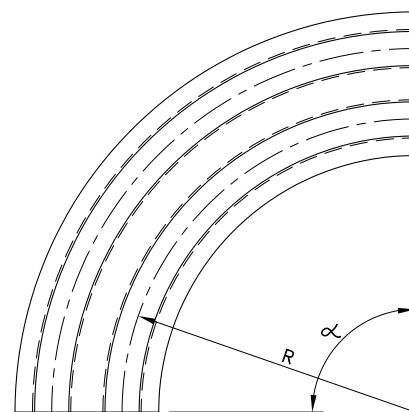
Width W	125 mm	245 mm	365 mm	For 4.50" wide chains		
15°	787.13.99	787.14.00	787.14.01	120	125	610
30°	787.14.05	787.14.06	787.14.07			
45°	787.14.11	787.14.12	787.14.13			
60°	787.14.17	787.14.18	787.14.19			
75°	787.14.23	787.14.24	787.14.25			
90°	787.00.95	787.01.02	787.01.03			

### Version KSU 230

Width W	200 mm	395 mm	590 mm	For 7.50" wide chains		
15°	787.14.32	787.14.33	787.14.34	195	200	610
30°	787.14.38	787.14.39	787.14.40			
45°	787.14.44	787.14.45	787.14.46			
60°	787.14.50	787.14.51	787.14.52			
75°	787.14.56	787.14.57	787.14.58			
90°	787.00.96	787.01.04	787.01.05			

### Version KSU 240

Width W	265 mm	525 mm	785 mm	For 10.00" wide chains		
15°	787.14.65	787.14.66	787.14.67	260	265	610
30°	787.14.71	787.14.72	787.14.73			
45°	787.14.77	787.14.78	787.14.79			
60°	787.14.83	787.14.84	787.14.85			
75°	787.14.89	787.14.90	787.14.91			
90°	787.01.06	787.01.07	787.01.08			



For plastic chains:  
• 882

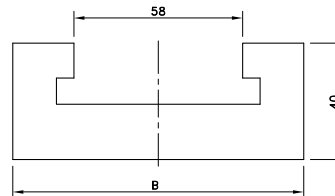
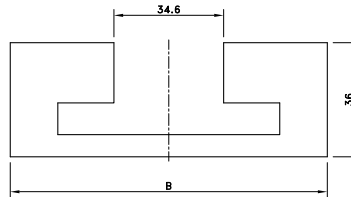
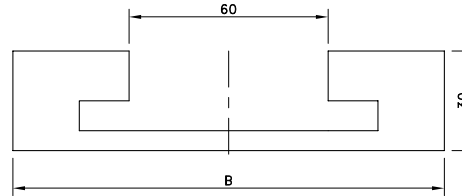
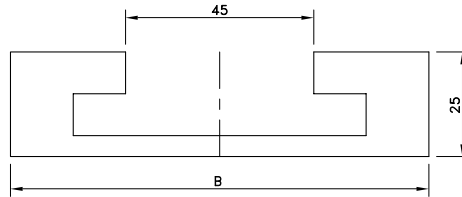
The code nr. includes both upper and under part.



# STU for Tab Chains



Type	Code Number	Basic Width B	For Chain Types
<b>Version STU</b>			
STU 013	787.90.09	100	<ul style="list-style-type: none"> <li>• 8811 TAB</li> <li>• 881 TAB</li> <li>• 880 TAB/BO/BOT</li> <li>• 879 TAB/BO</li> <li>• RH/RHD</li> <li>• 1050/1055 TAB</li> </ul>
STU 018	787.90.04	130	
<b>Version STU 200</b>			
STU 218	787.90.17	130	<ul style="list-style-type: none"> <li>• 882 TAB</li> <li>• 883 TAB</li> <li>• HDF</li> </ul>
STU 230	787.90.05	210	
STU 240	787.90.06	270	
STU 248	787.90.07	320	
<b>Version STU 300</b>			
STU 313	787.45.27	100	<ul style="list-style-type: none"> <li>• 1873 TAB</li> <li>• 1874 TAB</li> <li>• 3873 TAB</li> </ul>
STU 318	787.47.56	125	
STU 324	787.47.97	160	
STU 330	787.46.85	200	
STU 340	787.48.04	260	
STU 348	787.90.16	310	
<b>Version STU 500</b>			
STU 508	787.40.74	100	<ul style="list-style-type: none"> <li>• 1700 TAB K</li> <li>• 1710 TAB K</li> <li>• 1713 TAB K</li> </ul>
STU 515	787.90.11	110	
STU 540	787.90.20	270	



## SSU for Bevel Chains



Type	Code Number	Basic Width B	For Chain Types
<b>Version SSU</b>			
SSU 013	787.90.02	100	• 8811 • 881
SSU 018	787.90.18	130	• 880 • 879
<b>Return Plates</b>			
SSU 013 P	787.90.03	100	• 8811 • 881
SSU 018 P	787.90.19	130	• 880 • 879

All straight tracks have a standard length of 2 meters; other lengths upon request.

